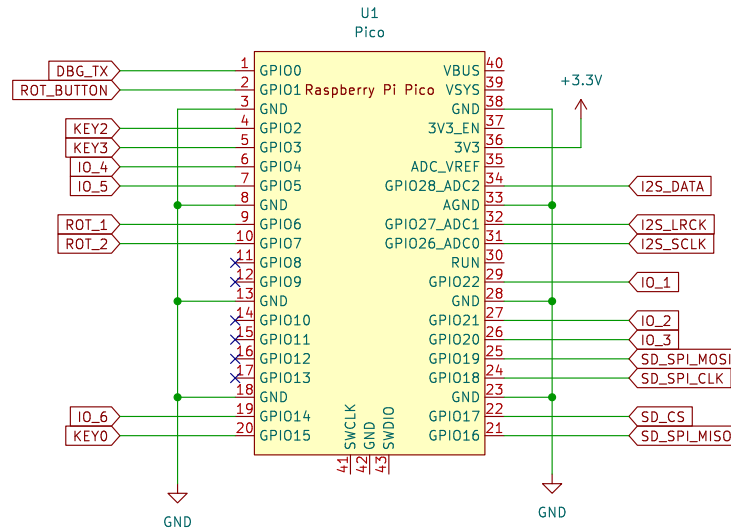
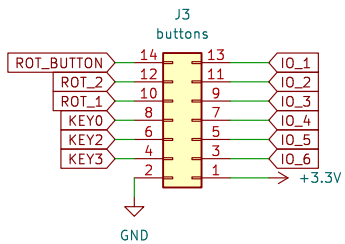


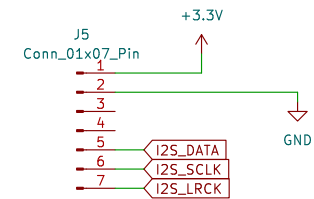
- Waveshare Pico LCD-2 wiring:
- Key0 (GP15) ==> NOT PHYSICALLY ACCESSIBLE
 - Key1 (GP17) ==> NOT PHYSICALLY ACCESSIBLE, CONFLICT WITH SD_CS
 - Key2 (GP2)
 - Key3 (GP3)
 - LCD D/C (GP8)
 - LCD CS (GP9)
 - LCD SPI CLK (GP10)
 - LCD SPI MOSI (GP11)
 - LCD Reset (GP12)
 - LCD Backlite (GP13)



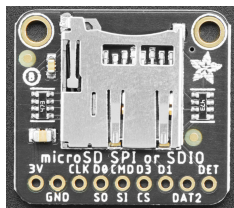
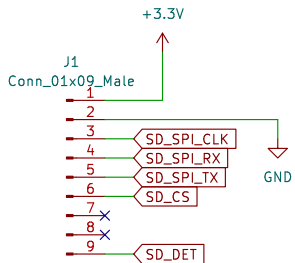
User inputs (rotary encoder, buttons) and general purpose I/O



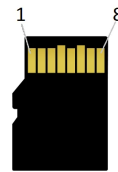
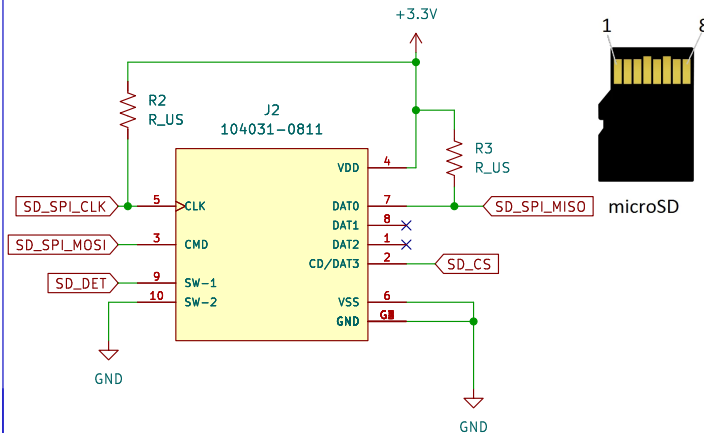
Audio connector, compatible with Adafruit I2S 3W Amplifier breakout MAX98357A



Adafruit ADA4682



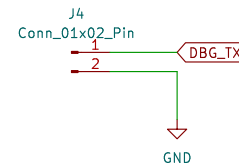
SD-CARD footprint Molex 104031



Pin	Pin Name
1	NC
2	CS
3	MOSI
4	VDD
5	CLOCK
6	GND
7	MISO
8	NC

Pull-ups resistors are optional. Depends if your Pico board has some or not.

Debug serial port



TODO
battery charging
LCD connector
audio
SWD

Sheet: /
File: ost-pico-addon.kicad_sch

Title:

Size: A4
KiCad E.D.A. kicad 7.0.7-7.0.7-ubuntu23.04.1

Date:
Rev:
Id: 1/1